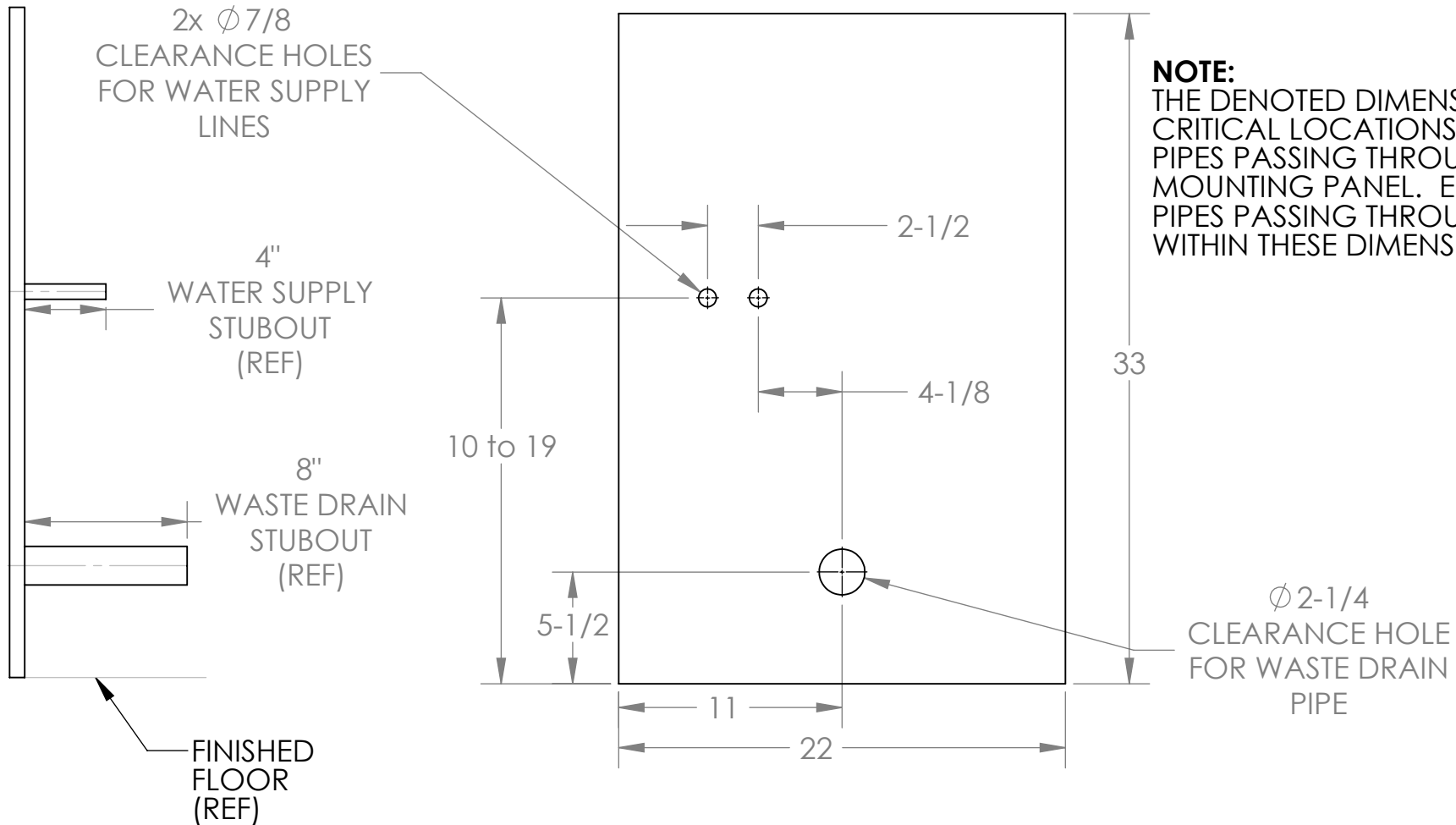


NOTE: FOR USE WITH MARBLE PRODUCTS 3000W SHAMPOO BOWL NO HAIR INTERCEPTOR CAN BE USED



NOTE:
THE DENOTED DIMENSIONS ARE CRITICAL LOCATIONS FOR THE PIPES PASSING THROUGH THE MOUNTING PANEL. ENSURE ALL PIPES PASSING THROUGH FALL WITHIN THESE DIMENSIONS.

PROPRIETARY AND CONFIDENTIAL
THE INFORMATION CONTAINED IN THIS DRAWING IS THE SOLE PROPERTY OF ACCESSIBLE SYSTEMS, LLC. ANY REPRODUCTION IN PART OR AS A WHOLE WITHOUT THE WRITTEN PERMISSION OF ACCESSIBLE SYSTEMS, LLC IS PROHIBITED.

		UNLESS OTHERWISE SPECIFIED:	NAME	DATE
		DIMENSIONS ARE IN INCHES TOLERANCES: FRACTIONAL $\pm 1/16$ ANGULAR: MACH \pm BEND \pm TWO PLACE DECIMAL \pm THREE PLACE DECIMAL \pm	DRAWN	C SCHEFF 4/17/08
		INTERPRET GEOMETRIC TOLERANCING PER:	CHECKED	
		MATERIAL	ENG APPR.	
		FINISH	MFG APPR.	
NEXT ASSY	USED ON		Q.A.	
APPLICATION		DO NOT SCALE DRAWING	COMMENTS:	

Accessible Systems, LLC
TITLE: **ROUGH-IN FOR K101 SINGLE STAGE PLUMBING**

SIZE **A** DWG. NO. **K101-87** REV **C**

SCALE: 1:8 WEIGHT: SHEET 1 OF 1